

Power Clamp



Original Operating Instructions for load handling devices

Product Name: **Power Clamp D26**
Product Group: **Load handling devices**
Abbreviations: **LHD**
Sketch number: **ST-PC-D26-000**
Serial number:
Year of manufacture: **2018**



Distributors



TABLE OF CONTENTS

1. Foreword	03
2. Safety instructions	04
2.1. Obligations and liabilities	04
2.2. Basic Safety Instructions	05
2.3. Workplace safety	06
3. How to use	07
3.1. Correct using	07
3.2. Load chart	08
3.3. Examples of using wooden elements	09
3.4. Misapplication	10
4. Inspections	11
4.1. Tests before first use	11
4.2. Daily checks before use	11
5. Maintenance	11
5.1. Routine maintenance	11
5.2. Periodic maintenance	12
6. Appendix	13
6.1. Delivery condition	13
6.2. Warranty	14
6.3. EU - Conformity declaration	15

1. FOREWORD

Dear Customer,
we are pleased that you have chosen a **Power Clamp D26**.



We ask you to carefully read the information contained in the guidance manual, which has been compiled by experts. You will find all the necessary information for its operation, as well as for expert maintenance and repair, so that you can make full use of the technical advantages of the **LHD** for a long time period.

This manual is part of the product. Always keep this in the vicinity of the unit.

This document is the property of the manufacturer. Providing Information to third parties and copying of this guidance manual is prohibited without the written consent of the manufacturer.

If problems occur with the **LHD**, please contact us directly!

Kind regards,
Sales
Stephan Lageder
+39 349 0686399
info@sollevatec.it



2. SAFETY INSTRUCTIONS

2.1. *Obligations and liabilities*

Everyone who works with the LHD must know and follow the **safety instructions** contained in the operating manual. The manufacturer is **not** liable for damage caused by failure to observe the instructions. The LHD is built according to recognised safety rules. Nevertheless if operating and safety instructions are disregarded when used, risks may arise.

2.2. *Basic safety instructions*

a) The application of the LHD may be used only by authorized and trained personnel who are familiar with all statutory provisions, safety and work rules in advance.
b) Comply with the prescribed load capacity!
c) Only use for loads whose characteristics are suitable for this purpose.
d) When lifting or setting down loads never do so above or in close proximity to people.
e) Visual inspection before each use (defects, damage, completeness and whereabouts of all moving parts, and adequate fluid)
f) Comply with the prescribed maintenance and repair procedures.
g) Use only original spare parts provided.
h) It is strictly forbidden on the part of the customer / third party to make changes to the LHD or its function, as well as to the technical documentation.
i) Keep all of this documentation in accordance with the regulations and within reach of the LHD . It must be possible to be checked for reference by each operator, as well as the maintenance and repair personnel at any time.

This manual contains important instructions for using the **LHD** safety requirements. Danger arises when the **LHD** is not used in accordance with the intended purpose, or if the **LHD** is not checked and maintained in accordance with instructions.

2.3. Workplace safety

The operator and the maintenance and service personnel have to know and comply with the following safety instructions on operating the **LHD** at work.

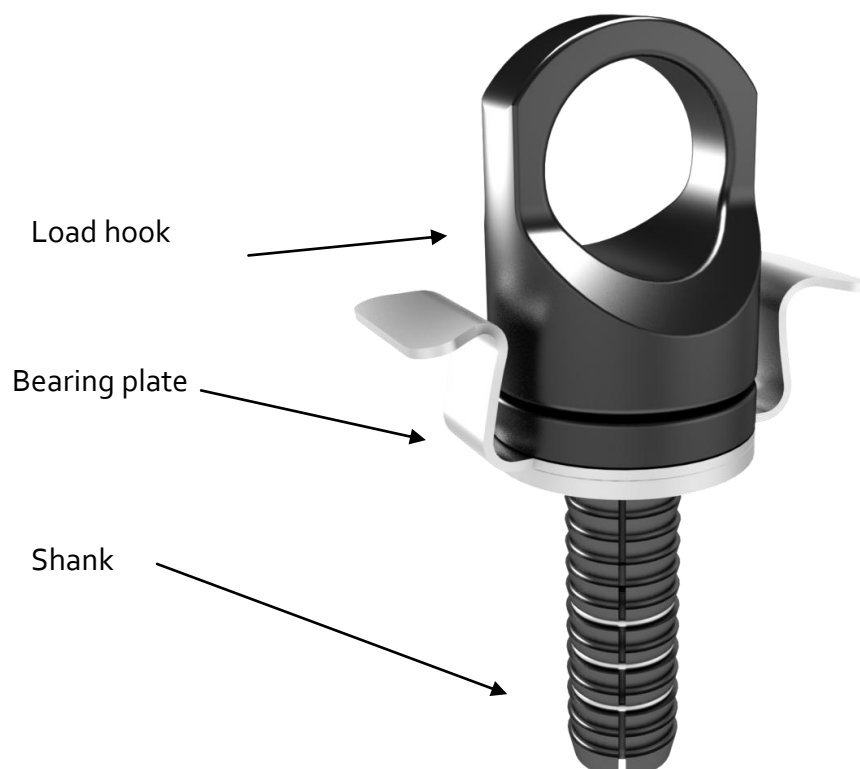
a) Personal requirements: The LHD may only be installed, operated and maintained by authorized, trained and qualified specialists or experts. The responsibilities of personnel for operation and maintenance are clearly defined. The statutory occupational safety regulations are established and have been implemented.
b) Personal protective equipment: safety shoes, protective places, protective helmets, as well as the correct and appropriate and expedient work wear. Long hair must be tied. Jewelry (necklaces, rings, big watches) must not be worn.
c) Visual inspection according to the rules of the operating manual should be made before each use of the LHD . Should anomalies occur stop operation in all cases and take the appropriate steps (inform maintenance staff, in consultation with distribution)
d) The workplace must be in clear view of the operator and in accordance with safe before the LHD is used.
e) The LHD should not be used outside the temperatures of -20° to $+80^{\circ}$
f) To manufacture of the bore at the construction site is to ensure there is sufficient stability.
g) Hearing test while labor input.

3. HOW TO USING

3.1. Correct using

The load handling device serves exclusively to lift glue-laminated, cross-laminated timber and solid wood beams, made of spruce, fir, pine and larch. It can be lifted only one element per lift. This intended use is specified in the following.

- Customize the drilled hole of $\varnothing 26$ with a minimum depth of 75 mm in the suitable wooden elements.
- Minimum thickness of the woods 50 mm
- Introduce the **Power Clamp** $\varnothing 26$ into the hole until the contact plate touches the wooden surface.
- Align the hook in the direction of pull. **ATTENTION:** Not rotatable under load!
- Scope of application -20° to $+80^{\circ}$ C
- Application only with dry wood, max. 20 % residual humidity.
ATTENTION: If the surface of the bore is wet /filled with water or wet), this bore must not be used. TEST: Upon palpation the bore surface fingers must not become wet. Eventually finish a new drill!



Power Clamp



3.2. Load chart

<p>Load case 1 - 1 Strand 0° \rightarrow 500 kg</p>	<p>Load case 2 - 1 Strand 0°-60° \rightarrow 500 kg</p>	<p>Load case 3 - 2 Strand 0°-45° \rightarrow 700 kg 2 Strand 45°-60° \rightarrow 500 kg</p>
<p>Load case 4 - 2 Strand 0° \rightarrow 1.000 kg</p>	<p>Load case 5 - 3-4 Strand 0°-5° \rightarrow 1.050 kg 3-4 Strand 45°-0° \rightarrow 500 kg</p>	<p>Load case 6 - 4 Strand 0°-45° \rightarrow 1.400kg 4 Strand 45°-60° \rightarrow 1.000kg</p>
<p>Load case 7 \rightarrow 2.000 kg</p>	<p>*Load case 8 - 1 Strand 90° \rightarrow 125 kg</p>	<p>Load case 9 - 2 Strand 0°-45° \rightarrow 350 kg 2 Strand 45°-60° \rightarrow 250 kg</p>

Power Clamp

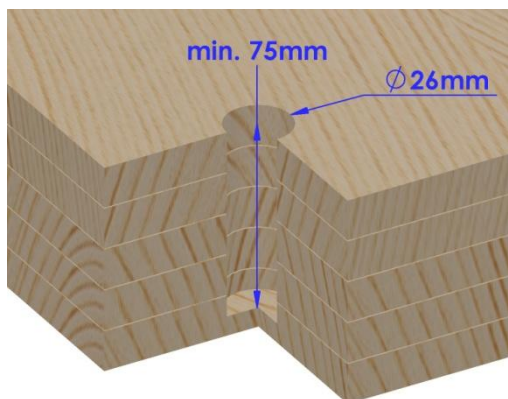


	<p>*With asymmetrical load distribution the load capacity decrease by 50%!</p>	
<p>Load case 10 - 2 Strand 0° → 250 kg</p>		<p>Load case 11 - 2 Strand 0° → 500 kg</p>

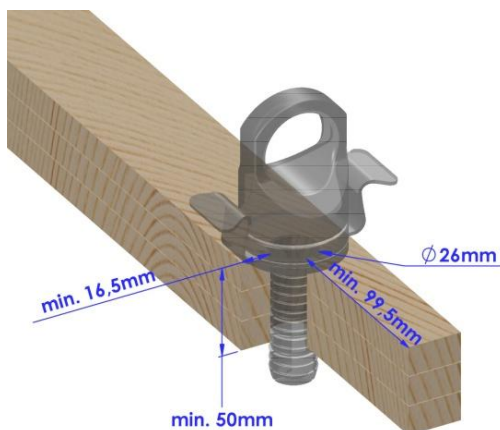
3.3. Examples of using wooden elements

<p>1-Strand chain hanger: Wooden elements: X-LAM board, plywood, glue binder, CLT</p>	<p>2- Strand chain hanger: Wooden elements: squared timber, glue binder, plywood, laminated timber</p>
--	---

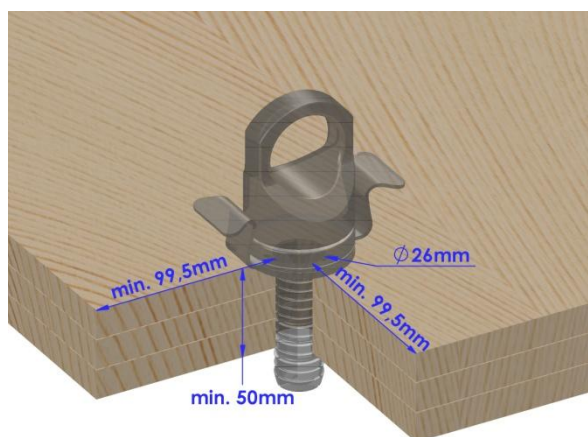
Power Clamp



Drill depth min. 75 mm



Minimum distance of the bore











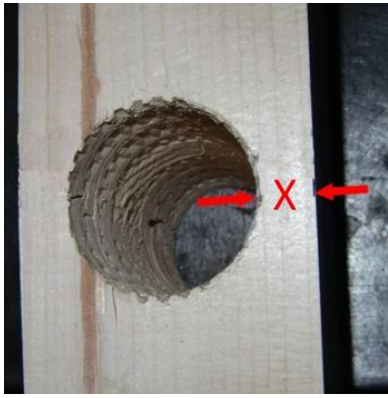


Min. distance of bore

Allowable bore tolerance: MIN 25 mm - MAX 26 mm

Power Clamp



3.4. Misapplication

 DANGER	With the LHD it is forbidden to left higher loads and larger angles as specified!	
 DANGER	Should the LHD have visible defects, it should not be used!	
 DANGER	A dirty LHD can impair the function and should not be used!	
 WARNING	Upon insertion of LHD in the bore, the overlong plate has to touch the wood element.	
 WARNING	The hole depth must be at least 75 mm .	
 WARNING	The bore diameter of Ø26 should not be exceeded.	
 WARNING	The load must be aligned in the direction of rotation of the chain hanger.	
 WARNING	The distance between the hole and the edge must be at least 16,5 mm .	
		Wrong 



4. INSPECTION

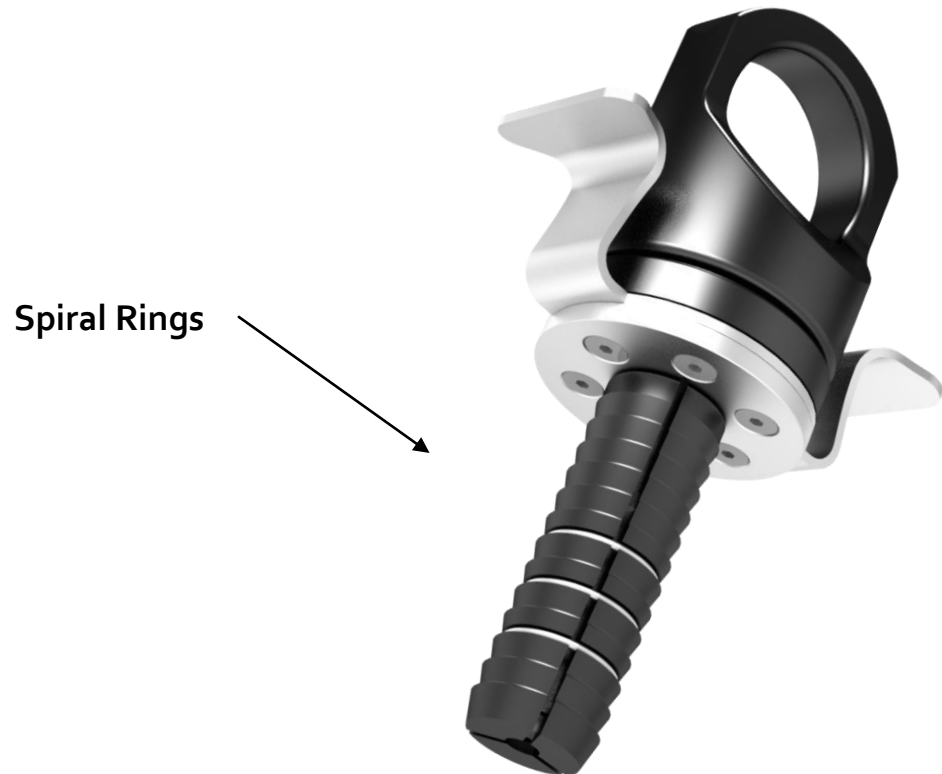
4.1. Tests before first using

- a) Check delivery state!
- b) Make a visual check!
- c) Tensioning and relieve the LHD however, without introducing it into the bore. After releasing it must return to the starting position autonomously

4.2. Daily check before using

- a.) Make a visual check!
- b.) Check for impurities, completeness and function (free movement in relation).
- c.) Check all components for signs of wear, cracks and deformation.

5. MAINTENANCE



5.1. Routine maintenance

- a) Pull the spiral rings from the shaft carefully (Attention to abrupt release of the compression spring!).
- b) Immerse the shaft in a sufficient degreasing agent. You can now remove all impurities with a brush.
- c) The remaining degreaser should be removed from the **LHD** with compressed air.
- d) Re-install all spiral rings once again (5 pieces).
- e) Perform an inspection
- f) The LHD must be always stored dry and clean.

Power Clamp



5.2. *Periodic maintenance*

Doing the periodic maintenance about after 500 lifting loads or at least 1 time a year, unless otherwise regulated by law.

The periodic maintenance must be carried out only by a qualified person.

Note the incurred maintenance in the appendix!

Periodic inspections:

Inspection date:	Serial number:	Results/description	Signature:

Power Clamp



6. APPENDIX

DELIVERY CONDITION

The Power Clamp II D26 is delivered with drills and instruction manual in a rugged carrying case.





WARRANTY

The manufacturer guarantees to the original purchaser the following warranty:

- ⇒ The manufacturer guarantees that the product is free of defects/faults in the production or in relation to the materials during shipping if the product is used under specified conditions. If any items have errors or defects, they must be notified immediately upon discovery to the manufacturer. If this happens within a year (beginning with the date of purchase), then the manufacturer is obliged to check the error or defect, to repair or replace it.
- ⇒ The warranty period shall be based on **12 months**, from the date of purchase.
- ⇒ This warranty is only valid for the **original parts** and not for wearing parts.
- ⇒ If the customer does not use the **LAM** as intended, or the safety regulations for use and maintenance of the product are not complied with, according to the operating manual, the manufacturer guarantees no warranty.
- ⇒ The warranty **does not cover** any product failure that can be attributed to negligence, incorrect or improper use, misuse or improper mounting or servicing.
- ⇒ The manufacturer assumes **no responsibility** for any damage or loss caused by transportation, improper storage or due to normal wear on the product or due to lost operating time.

EU CONFORMITY DECLARATION

In terms of the EU Machinery Directive 2006/42/EC

The Manufacturer: **Weico GmbH**
Gewerbezone Ziggler, 4
39040 Feldthurns

Hereby declares that the following product:

Model: **Power Clamp D26**
Type: **Load Handling Device „LAM“**

Corresponds to the provisions of EU Directive **2006/42/EC** in force at the date of issue version.

The following harmonised standards were applied:

EN ISO 12100:2010

"Safety of machinery - General principles - risk assessment and risk reduction"

EN 13155:2003+A2:2009

"Cranes – not mounted Load Handling Device"

Name of representative for documentation: **Weico GmbH**

Address: **Gewerbezone Ziggler ,4 - 39040 Feldthurns**

Date: 31.01.2018

Signature:



The Manufacturer: **Weico GmbH**

Address: **Gewerbezone Ziggler 4 / I-39040 Feldthurns**

Date: 31.01.2018

Signature:

